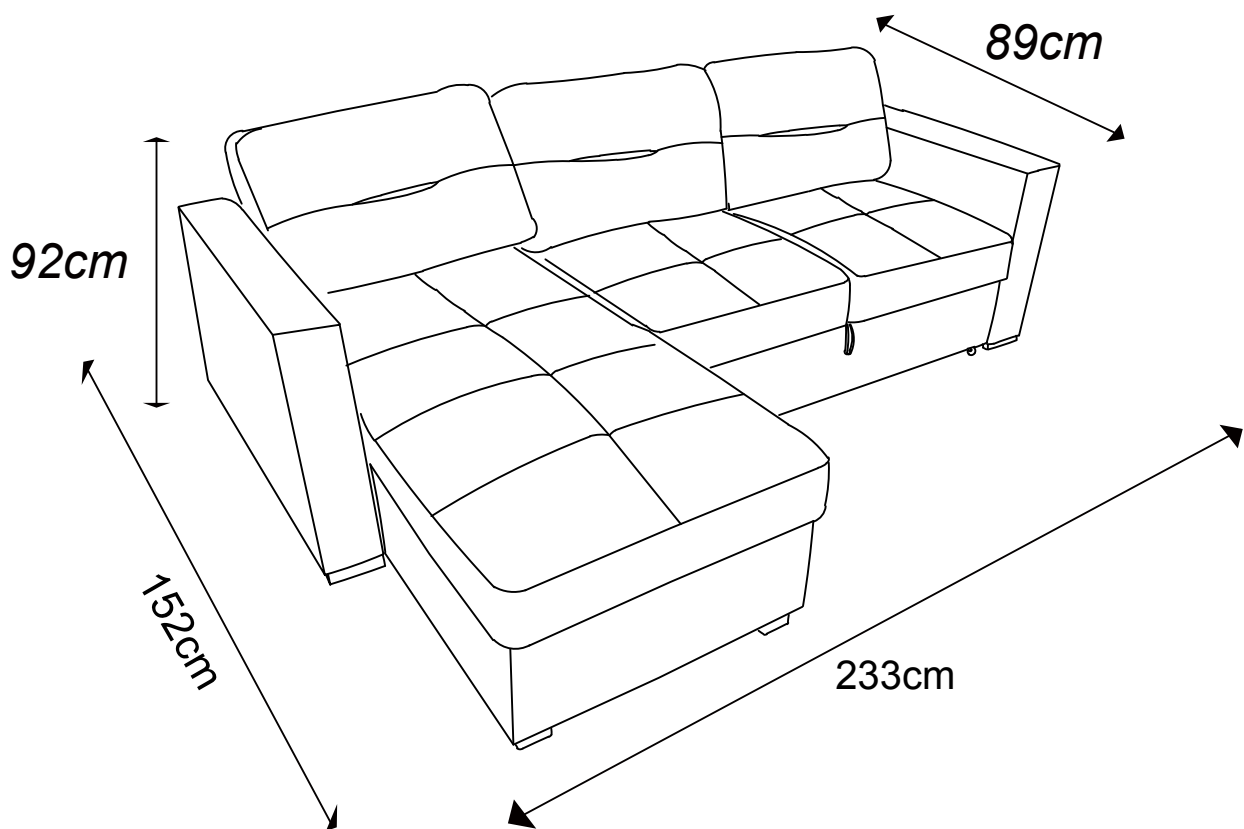


LIVING & CO[®]

Hunter Sofa Bed



INSTRUCTION MANUAL

The Maximum Weight this product can hold up to 350 kgs

AFTER SALES SUPPORT

  0800 422 274

Important Safety Instructions

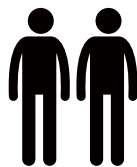
Warning:

- Do not stand on the sofa.
- Do not use this sofa as a step ladder.
- Tighten all screws before using.
- Only use on even surface.
- Not for commercial use.
- Maximum total weight 350kgs.
- Never drag furniture when moving.

Assembly Details

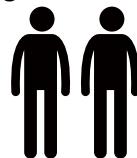
15 Min

Approximate Assembly Time

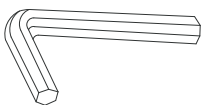


2 Person Assembly

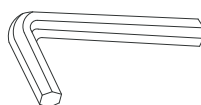
*Floor Area
2 x 2 meters*



Required Assembly Space



Required Assembly tools



Included tools

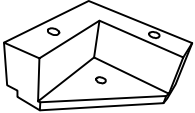
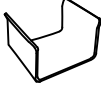


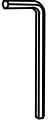
Tips before you start

- 1 Please check that all parts are present before you start the assembly of your furniture.
- 2 For ease and speed of assembly, we recommend that before you commence each step of the assembly, that you identify all the parts required for that step.
- 3 For larger items, please ensure that you have sufficient space and people (as indicated on page 1) to assemble your product safely.
- 4 We recommend that, where possible, assemble all items near to the area in which they will be placed in use, to avoid moving the product once assembled.
- 5 For the protection of your furniture, we recommend that the product is placed on a protected surface during assembly to prevent any damage.
- 6 During assembly please take care not to over-tighten anything, as this may damage the product. Do not use power tools.
- 7 Always place the product on a steady and stable surface.
- 8 Do not stand on the product. Do not use the product as a stepladder.
- 9 This product is intended for indoor, household use only as it is a non-industrial product.
- 10 Please use caution and care when lifting the product to avoid personal injury and/or product damage.

Care and maintenance

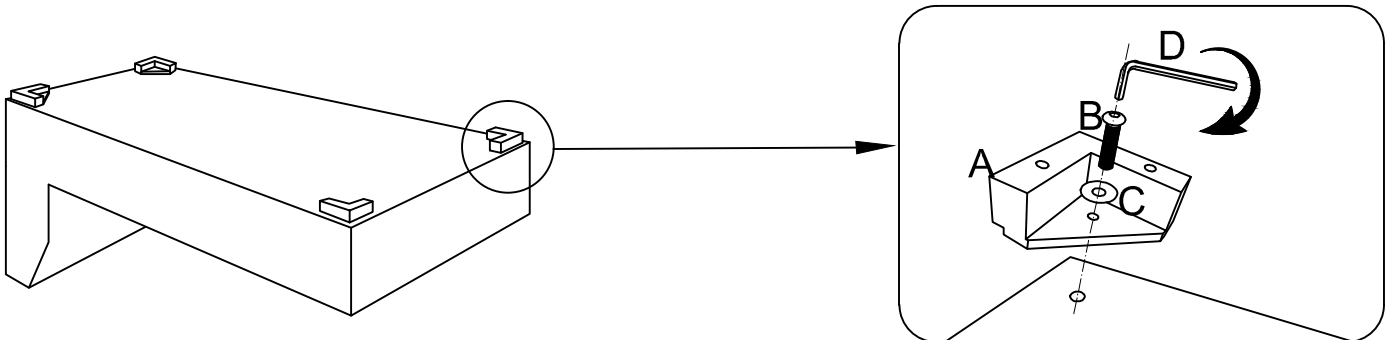
- ✓ Please periodically check all things and re-tighten as necessary.
- ✓ To clean your item, please use a damp cloth and wipe clean.
- ✓ Never allow any kind of liquid to remain on your furniture. Absorption can cause wood to warp or finishes to de-laminate.
- ✓ Please do not place hot items (eg. hot drinks) directly on to the surface.
- ✓ Please do not drag and pull your furniture.

Part Name

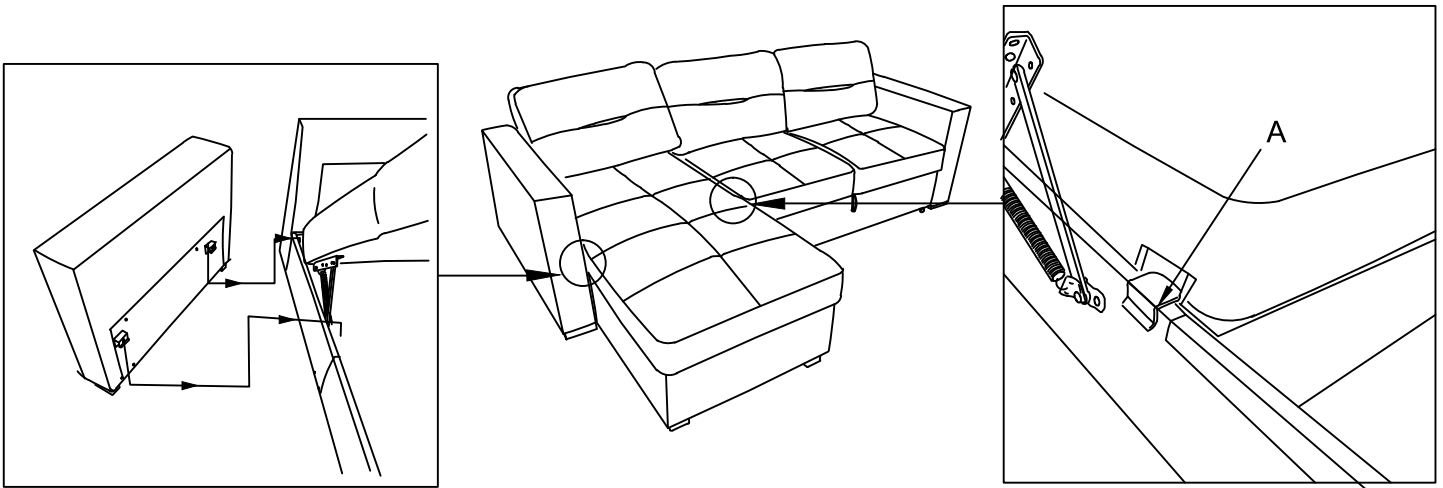
<p>A×4</p> 	<p>E×2</p> 
<p>B×4</p> 	
<p>C×4</p> 	
<p>D×1</p> 	

Assembly

STEP 1



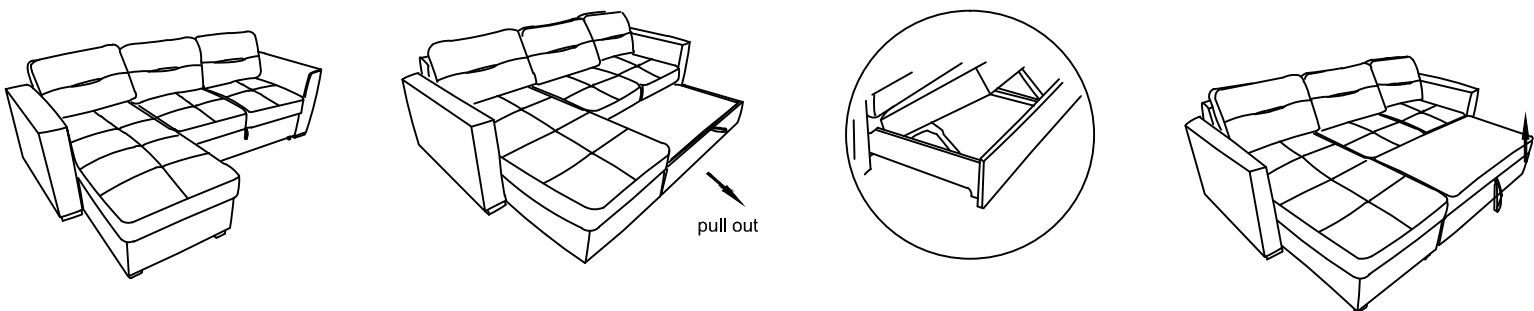
STEP 2



Tips: Ensure the sofa is on a level surface when attaching the chaise hooks.

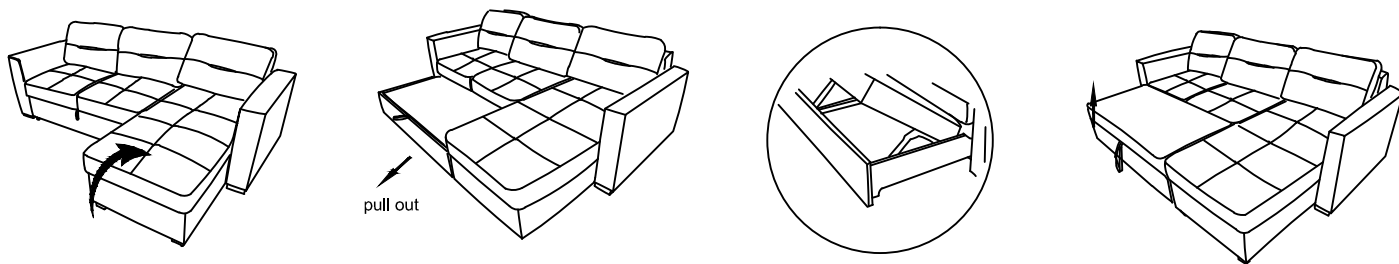
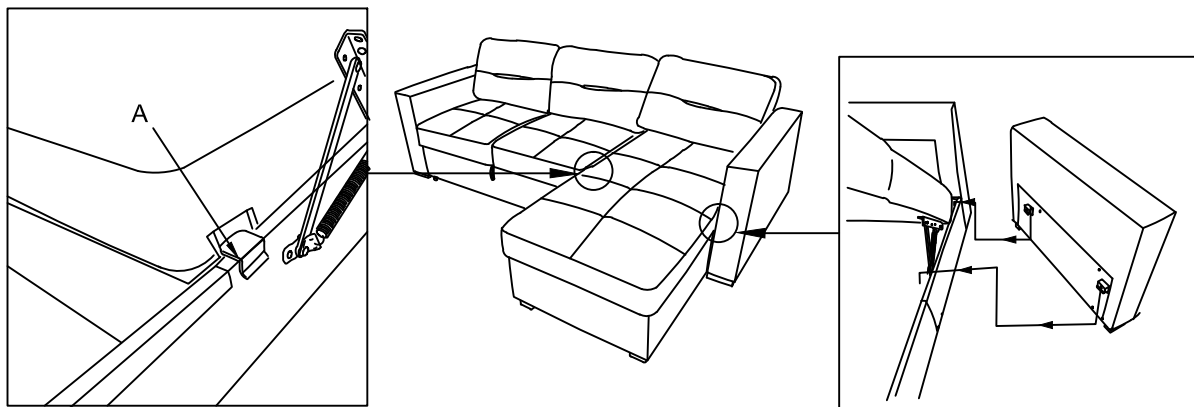
If the chaise hooks are hard to attach to the frame. Loosen the hardware before attaching the arm to the sofa frame.

STEP 3

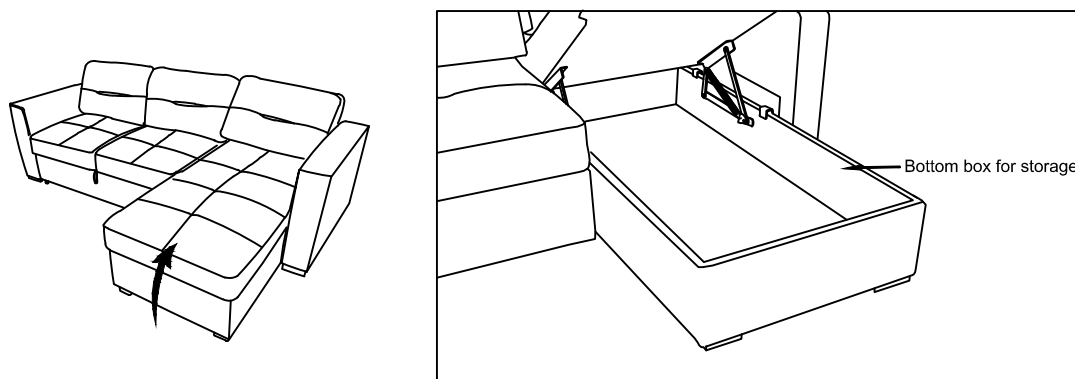


Assembly

Or



STEP 4



Tips: lift chaise for added storage.



LIVING & CO[®]

Warranty

We pride ourselves on producing a range of quality products that are both packed with features and completely reliable. We are so confident in our products, we back them up with one year warranty. Now you too can relax knowing that you are covered.

Customer Helpline NZ: 0800 422 274
This product is covered by one year warranty when accompanied by proof of purchase.